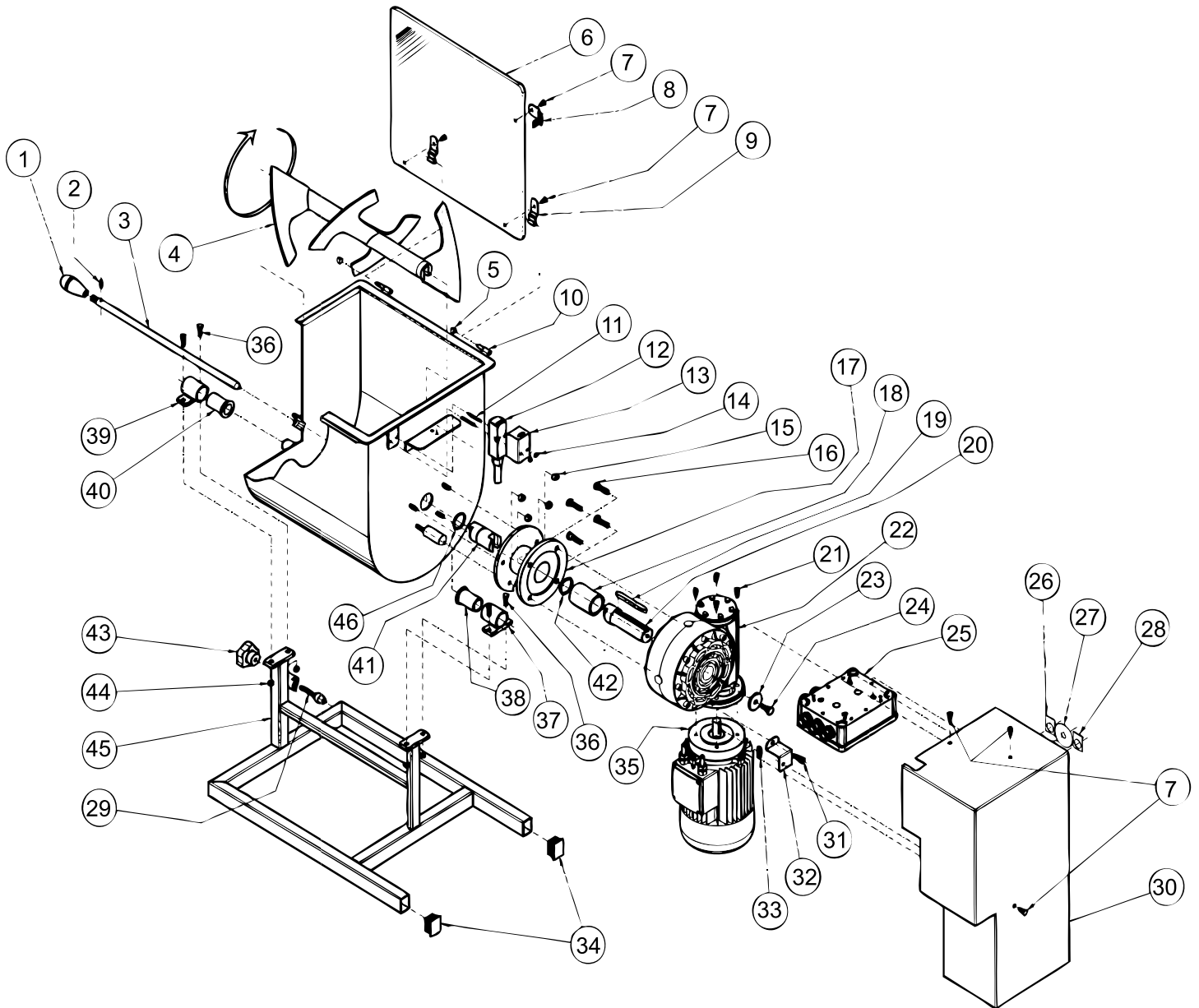


Parts Breakdown

Model MM-IT-0030 37459



Parts Breakdown

Model MM-IT-0030 37459

Item No.	Description	Position	Item No.	Description	Position	Item No.	Description	Position
43269	Handle M10 for 37459	1	43271	Supporting Gear 30 Single-Blade for 37459	17	43853	Key Shaft 6x8 L.40 for 37459	33
43277	Elastic Pin 5x18 for 37459	2	43272	Bush Teflon Tree Rioutore Single Blade 30 kg. for 37459	18	43854	Plug Tube for 37459	34
43278	Auction Pala 30 kg. Single-Blade for 37459	3	43273	Key Tree 6x8 L.70 for 37459	19	43855	Engine 80HP1 Single Blade 30 kg. for 37459	35
43279	Pala 30 kg. Single-Blade for 37459	4	43274	Shaft Gear 30 kg. Single-Blade for 37459	20	43856	Screw Hex Head Stainless for 37459	36
43280	Inox Nut M6 for 37459	5	43275	Hex Head Screw M8x25 Zinc for 37459	21	43857	Group Rotation Tank Mod. Short for 37459	37
43281	Cover Transparent 30 kg. Single-Blade for 37459	6	43276	Gear Single Blade 30 kg. for 37459	22	43858	Bush Teflon Group Rotation Mod. Short for 37459	38
43282	Hex Head Screw M6x10 Inox for 37459	7	43843	Flat Washer Galvanized 10x40 for 37459	23	43859	Group Rotation Tank Mod. Long for 37459	39
43283	Bracket Micro for 37459	8	43844	Hex Head Screw M08x20 Zincata for 37459	24	43860	Bush Teflon Group Rotation Mod. Long for 37459	40
43284	Hinge for 37459	9	43845	Panel Electric Model for 37459	25	43861	Fitting Shaft - Pala 30K for 37459	41
43285	Tank 30 kg. Single-Blade for 37459	10	42249	Plate Indicator Run - Next for 37459	26	43862	Ring Round Section 039.92 x 3.53 for 37459	42
43286	Pin Pilettato M5x45 for 37459	11	43847	Marker Plate - Emergency Stop for 37459	27	43863	Flyer M10 for 37459	43
43287	Micro Blocking Safety for 37459	12	43848	Plate Indicator Run - Back for 37459	28	43864	Inox Nut M8 for 37459	44
43288	Carter Micro 30 Single-Blade for 37459	13	43849	Freeze Rotation Basin for 37459	29	43865	Frame Bench 30 kg. Single-Blade for 37459	45
43289	Inox Nut M5 for 37459	14	43850	Carter 30 kg. Single-Blade V1 for 37459	30	43866	O Ring Round Section 044.12x2.62 for 37459	46
43290	Locking Nut Stainless M8 for 37459	15	43851	Head Screw Cil. Esa. Inc. Zincata M8x20 for 37459	31			
43270	Screw Hex Head Galvanized M10x25 for 37459	16	43852	Bracket Locking Carter Single Blade for 37459	32			